

Folded depth
of only
10³/₄"!



**Easy and fast installation
that eliminates the
barrier of stairs**

**Ultra-slim profile folds
compactly out of the
way when not in use**

**Comfortable and
width-adjustable
for best fit**

Savaria® K2 Stairlift

K2 - STRAIGHT TO THE TOP



The Savaria K2 stairlift is one of the easiest ways to stay in your home and enjoy the freedom of barrier-free living. Installed on your stairs, in only a few hours, the stairlift carries you smoothly and quietly up a straight flight of stairs. The Savaria K2 stairlift is uniquely compact – with one of the slimmest fold-up dimensions on the market at only 10³/₄" deep – to allow easy access to the stairs when the lift is not in use.

With safety features including a retractable seat belt, overspeed governor and obstacle sensor system to stop unit, you can count on your Savaria stairlift. Finished in soft white with an unobtrusive design, the K2 stairlift blends easily into your home décor.

MEDm&bility
5711- 104 St, Edmonton AB. T6H 2K1
www.edmontonstairlift.com
P: 780-437-3300

 **savaria®**

Savaria® K2 Stairlift

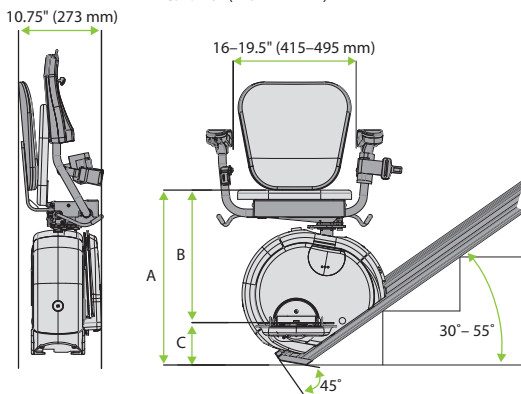
K2 - STRAIGHT TO THE TOP



- Ultra-slim folded depth of only 10¾", keeps unit out of the way when not in use
- Quiet and smooth-riding operation from the rack and pinion drive system
- Battery operated with built-in charging at top and bottom landings; can be used several times during a power failure
- LED status lights to advise you of any issues
- Safety features include obstacle sensor to stop system if it meets an obstruction and overspeed braking
- Swivel and lock seat at top landing for added stability getting on and off the chair
- Retractable seat belt with anti-slip footrest for safety and ease of use
- Unit can be installed on either side of the stairs and includes 2 infrared remote controls plus toggle switch on arm rest for easy operation
- Comfortable and durable seat with width-adjustable arms up to 20"
- Options: continuous charge system, manual flip-up rail, seat swivel paddle, rail extension brackets to reduce intrusion at top landing, emergency stop button
- **Optional outdoor package**, suitable for moderate climates, includes stainless steel rack and support legs, and zinc hardware for rust resistance; UV-rated, water repellent closed-cell foam seat with cover and sturdy clip seatbelt, RF remote controls, and continuous charge system

Measurements vary based on rail angle:

- A: 21.7–22.2" (551–564 mm)
 B: 16.7–17.3" (424–439 mm)
 C: 4.7–5" (119–127 mm)



See savaria.com for information on the optional V Seat

SPECIFICATIONS

Applications	Residential, indoor, straight-run stairway
Capacity	350 lb (159 kg) ¹
Maximum travel distance	32 ft (9.75 m)
Nominal speed	15 ft/min (0.08 m/s)
Drive and motor	Rack and pinion, ½ HP, 24 VDC
Fold-up depth	10¾" (27.3 cm) ²
Fold-out depth	21½" (54.6 cm) ²
Range of incline	30° to 55°
Warranty	36 months parts, ask dealer for details

¹For stair angle > 45°, use of flip-up rail, or rail extension bracket, max capacity is 300 lb.
²Some additional running clearance may be required by local code.

Your local dealer can ensure your Savaria product is installed to comply with local and national codes.

MEDm&bility
 5711- 104 St, Edmonton AB. T6H 2K1
www.edmontonstairlift.com
 P: 780-437-3300

savaria.

savaria.com

2 Walker Drive Brampton ON L6T 5E1 Canada

tel: 1.855.728.2742